

V2406C Series

Intel® 7th/8th Gen Core™/Celeron® railway computers with 2 hot-swappable HDD/SSD slots, 2 Mini PCIe expansion slots for wireless, 24 to 110 VDC power input with isolation, -40 to 70°C operating temperature



Features and Benefits

- Intel® Celeron®/Intel® Core™ i3/i5/i7 high performance network video recorder for rolling stock applications
- DDR4 memory slot; up to 32 GB capacity
- Supports dual independent displays (VGA and HDMI with 4K resolution)
- 2 Gigabit Ethernet ports with M12 X-coded connectors
- M12 A-coded power connector
- Complies with all EN 50155 mandatory test items¹
- Compliant with EN 50121-4
- IEC 61373 certified for shock and vibration resistance
- -40 to 70°C wide-temperature models available

Certifications



Introduction

The V2406C Series embedded computers are built around an Intel® Core™ i7/i5/i3 or Intel® Celeron® high-performance processor and come with up to 32 GB RAM, one mSATA slot, and two hot-swappable HDD/SSD for storage expansion. The computers are compliant with EN 50155:2017 and EN 50121-4 standards covering operating temperature, power input voltage, surge, ESD, and vibration, making them suitable for railway onboard and wayside applications.

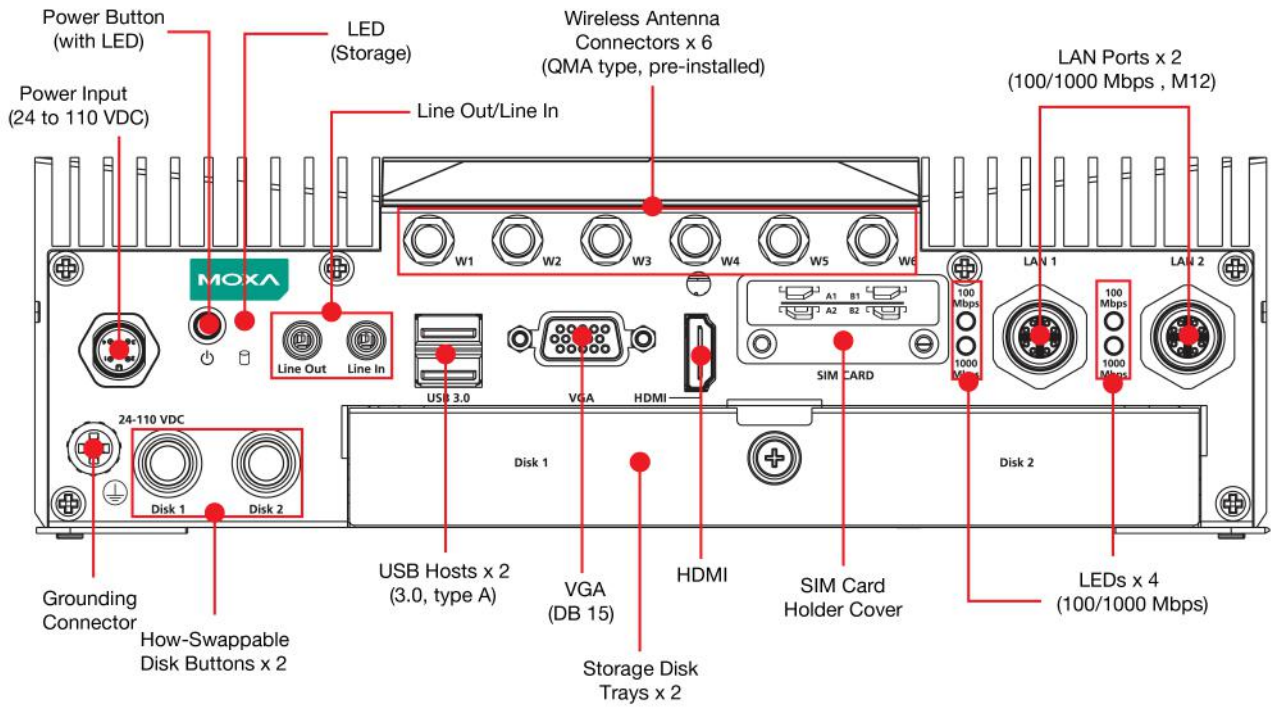
For connecting with onboard and wayside systems and devices, V2406C computers are equipped with a rich set of interfaces including 2 Gigabit Ethernet ports, 4 RS-232/422/485 serial ports, 6 DIs, 2 DOs, and 4 USB 3.0 ports. In addition, the V2406C computers provide 1 VGA video output and 1 HDMI output with 4K resolution support.

For reliable connectivity in train-to-ground (T2G) applications, the computers are provided with 2 mPCIe wireless expansion slots and 4 SIM-card slots. These help establish redundant LTE/Wi-Fi connectivity, ensuring solid bidirectional communications between a fast-moving train and the wayside applications. In addition, the preinstalled QMA cable for wireless modules can help reduce assembly efforts and ensure low RF leakage.

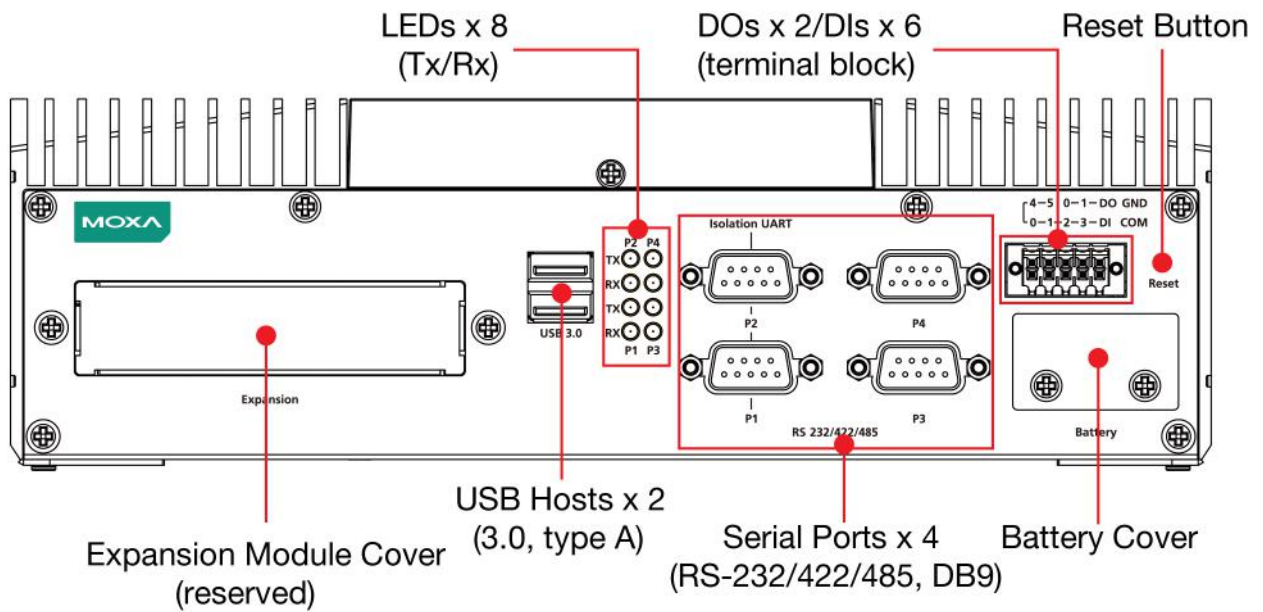
1. This product is suitable for rolling stock railway applications, as defined by the EN 50155 standard. For a more detailed statement, click here: www.moxa.com/doc/specs/EN_50155_Compliance.pdf

Appearance

Front View



Rear View



Specifications

Computer

CPU	V2406C-KL1-T/KL1-CT-T: Intel® Celeron® 3965U processor (2M cache, 2.2 GHz) V2406C-KL3-T: Intel® Core™ i3-7100U processor (3M cache, 2.4 GHz) V2406C-KL5-T: Intel® Core™ i5-7300U processor (3M cache, 2.6 GHz) V2406C-KL7-T/ KL7-CT-T: Intel® Core™ i7-7600U processor (4M cache, 2.8 GHz) V2406C-WL1-T/ WL1-CT-T: Intel® Celeron® 4305UE processor (2M cache, 2 GHz) V2406C-WL3-T: Intel® Core™ i3-8145UE processor (4M cache, 2.2 GHz) V2406C-WL5-T: Intel® Core™ i5-8365UE processor (6M cache, 1.6 GHz) V2406C-WL7-T/ WL7-CT-T: Intel® Core™ i7-8665UE processor (8M cache, 1.7 GHz)
Storage Slot	2.5-inch HDD/SSD slots x 2 mSATA slots x 1
Supported OS	Order via the Moxa Computer Configuration System (CCS): Windows 10 Embedded IoT Ent 2019 LTSC 64-bit Windows 10 Embedded IoT Ent 2021 LTSC 64-bit WL Models: Moxa Industrial Linux 2.x (Debian 10, kernel 4.19) KL Models: Debian 9 (kernel 4.9) Download Drivers From Website: Linux Debian 11/Ubuntu 20.04/CentOS 7.9 drivers
System Memory Slot	SODIMM DDR4 slot x 2
DRAM	32 GB max
Graphics Controller	Intel® Celeron® Models: Intel® HD Graphics 610 Intel® Core™ i3/i5/i7 Models: Intel® HD Graphics 620

Computer Interface

Ethernet Ports	Auto-sensing 10/100/1000 Mbps ports (M12 X-coded) x 2
Digital Output	DOs x 2
Serial Ports	RS-232/422/485 ports x 4, software selectable (DB9 male)
Digital Input	DI s x 6
USB 3.0	USB 3.0 hosts x 4, type-A connectors
Audio Input/Output	Line in x 1, Line out x 1, 3.5 mm phone jack
Video Output	VGA x 1, 15-pin D-sub connector (female) HDMI x 1, HDMI connector (type A)
Expansion Slots	mPCIe slots x 2

Digital Inputs

Connector	Screw-fastened Euroblock terminal
I/O Mode	DI
Isolation	3k VDC
Sensor Type	Wet contact (NPN) Dry contact
Dry Contact	Logic 0: Close to GND Logic 1: Open
Wet Contact (COM to DI)	Logic 0: 10 to 30 VDC Logic 1: 0 to 3 VDC

Digital Outputs

Connector	Screw-fastened Euroblock terminal 10-pin terminal block
Current Rating	200 mA per channel
I/O Type	Sink
Voltage	0 to 30 VDC
Isolation	3k VDC

LED Indicators

System	Power x 1 Storage x 1
LAN	2 per port (10/100/1000 Mbps)
Serial	2 per port (Tx, Rx)

Serial Interface

Baudrate	50 bps to 115.2 kbps
Connector	DB9 male
ESD	Contact: 6 kV; Air: 8 kV (level 3)
Isolation	2 kV
Data Bits	5, 6, 7, 8
Flow Control	RTS/CTS, XON/XOFF, ADDC® (automatic data direction control) for RS-485, RTS Toggle (RS-232 only)
Parity	None, Even, Odd, Space, Mark
Stop Bits	1, 1.5, 2

Serial Signals

RS-232	TxD, RxD, RTS, CTS, DTR, DSR, DCD, GND
RS-422	Tx+, Tx-, Rx+, Rx-, GND
RS-485-2w	Data+, Data-, GND
RS-485-4w	Tx+, Tx-, Rx+, Rx-, GND

Power Parameters

Input Voltage	24 to 110 VDC
Power Connector	M12 A-coded male connector
Power Consumption (Max.)	70 W (max.)

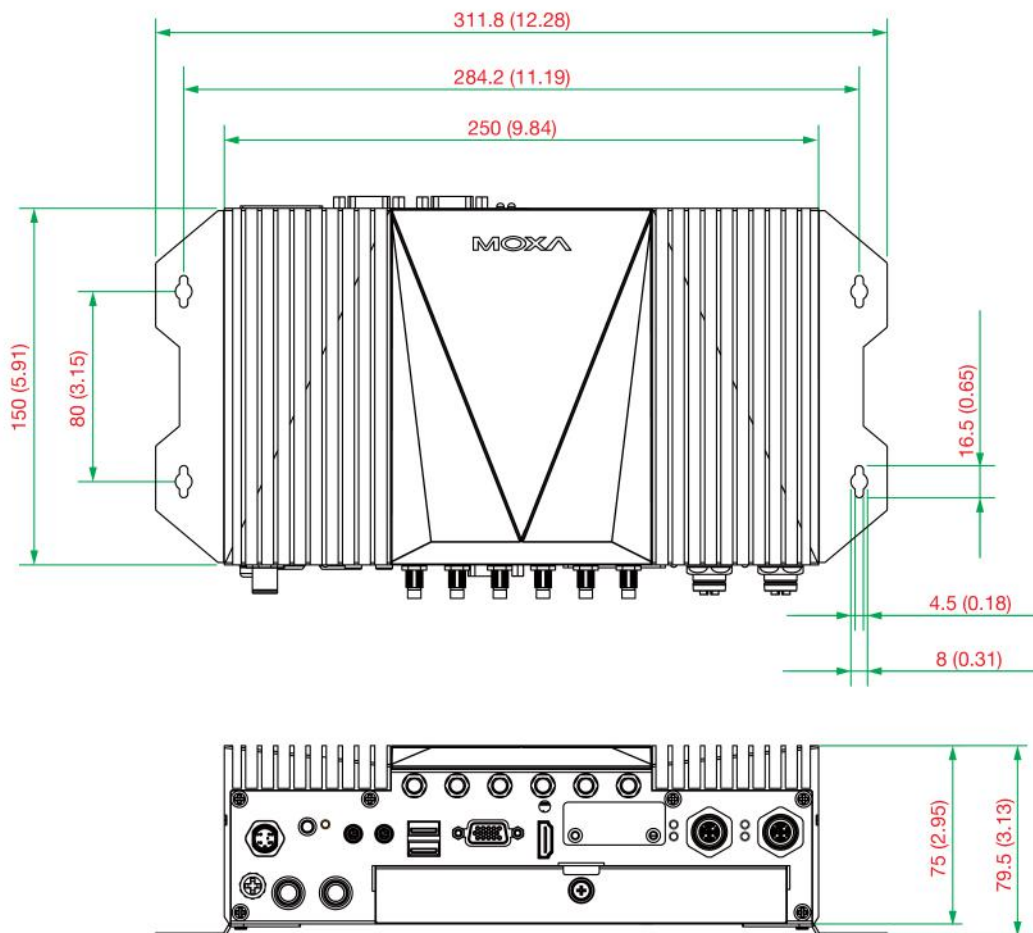
Physical Characteristics

Housing	Aluminum
IP Rating	IP20
Dimensions (without ears)	250 x 75 x 150 mm (9.84 x 2.95 x 5.91 in)
Weight	2,700 g (5.95 lb)

Installation	Wall mounting (standard)
Protection	PCB conformal coating Available on request
Environmental Limits	
Operating Temperature	-40 to 70°C (-40 to 158°F)
Storage Temperature (package included)	-40 to 85°C (-40 to 185°F)
Ambient Relative Humidity	5 to 95% (non-condensing)
Standards and Certifications	
EMI	CISPR 32, FCC Part 15B Class A
EMS	IEC 61000-4-2 ESD: Contact: 6 kV; Air: 8 kV IEC 61000-4-3 RS: 80 MHz to 1 GHz: 20 V/m IEC 61000-4-4 EFT: Power: 2 kV; Signal: 2 kV IEC 61000-4-5 Surge: Power: 2 kV IEC 61000-4-6 CS: 10 V IEC 61000-4-8 PFMF
Railway Fire Protection	EN 45545-2
EMC	EN 55032/35
Safety	EN 62368-1 IEC 62368-1 UL 62368-1
Railway	EN 50121-4 EN 50121-3-2 EN 50155:2017
Shock	IEC 60068-2-27, IEC 61373
Vibration	IEC 60068-2-64, IEC 61373
Declaration	
Green Product	RoHS, CRoHS, WEEE
MTBF	
Time	KL Models: 382,506 hrs WL Models: 369,408 hrs
Standards	Telcordia (Bellcore), GB
Warranty	
Warranty Period	3 years
Details	See www.moxa.com/warranty
Package Contents	
Device	1 x V2406C Series computer
Installation Kit	2 x SSD/HDD trays 1 x clamp for HDMI cable 1 x wall-mounting kit
Documentation	1 x quick installation guide 1 x warranty card

Dimensions

Unit: mm (inch)



Ordering Information

Model Name	CPU	Memory	OS Storage (mSATA)	SSD/HDD (Hot Swap)	USB	Power Input	Operating Temp.	Conformal Coating
V2406C-KL1-T	Celeron 3965U	2, DDR4, 2133 MHz (optional); 32 GB max.	1 (optional); 512 GB max.	2 (optional); 1 TB max.	4 x USB 3.0 (-type A)	24 to 110 VDC (M12 A-coded)	-40 to 70°C	-
V2406C-KL3-T	i3-7100U	2, DDR4, 2133 MHz (optional); 32 GB max.	1 (optional); 512 GB max.	2 (optional); 1 TB max.	4 x USB 3.0 (-type A)	24 to 110 VDC (M12 A-coded)	-40 to 70°C	-
V2406C-KL5-T	i5-7300U	2, DDR4, 2133 MHz (optional); 32 GB max.	1 (optional); 512 GB max.	2 (optional); 1 TB max.	4 x USB 3.0 (-type A)	24 to 110 VDC (M12 A-coded)	-40 to 70°C	-
V2406C-KL7-T	i7-7600U	2, DDR4, 2133 MHz (optional); 32 GB max.	1 (optional); 512 GB max.	2 (optional); 1 TB max.	4 x USB 3.0 (-type A)	24 to 110 VDC (M12 A-coded)	-40 to 70°C	-
V2406C-KL1-CT-T	Celeron 3965U	2, DDR4, 2133 MHz (optional); 32 GB max.	1 (optional); 512 GB max.	2 (optional); 1 TB max.	4 x USB 3.0 (-type A)	24 to 110 VDC (M12 A-coded)	-40 to 70°C	✓
V2406C-KL7-CT-T	i7-7600U	2, DDR4, 2133 MHz (optional); 32 GB max.	1 (optional); 512 GB max.	2 (optional); 1 TB max.	4 x USB 3.0 (-type A)	24 to 110 VDC (M12 A-coded)	-40 to 70°C	✓

Model Name	CPU	Memory	OS Storage (mSATA)	SSD/HDD (Hot Swap)	USB	Power Input	Operating Temp.	Conformal Coating
V2406C-WL1-T	Celeron 4305UE	2, DDR4, 2133 MHz (optional); 32 GB max.	1 (optional); 512 GB max.	2 (optional); 1 TB max.	4 x USB 3.0 (-type A)	24 to 110 VDC (M12 A-coded)	-40 to 70°C	-
V2406C-WL3-T	i3-8145UE	2, DDR4, 2133 MHz (optional); 32 GB max.	1 (optional); 512 GB max.	2 (optional); 1 TB max.	4 x USB 3.0 (-type A)	24 to 110 VDC (M12 A-coded)	-40 to 70°C	-
V2406C-WL5-T	i5-8365UE	2, DDR4, 2133 MHz (optional); 32 GB max.	1 (optional); 512 GB max.	2 (optional); 1 TB max.	4 x USB 3.0 (-type A)	24 to 110 VDC (M12 A-coded)	-40 to 70°C	-
V2406C-WL7-T	i7-8665UE	2, DDR4, 2133 MHz (optional); 32 GB max.	1 (optional); 512 GB max.	2 (optional); 1 TB max.	4 x USB 3.0 (-type A)	24 to 110 VDC (M12 A-coded)	-40 to 70°C	-
V2406C-WL1-CT-T	Celeron 4305UE	2, DDR4, 2133 MHz (optional); 32 GB max.	1 (optional); 512 GB max.	2 (optional); 1 TB max.	4 x USB 3.0 (-type A)	24 to 110 VDC (M12 A-coded)	-40 to 70°C	✓
V2406C-WL7-CT-T	i7-8665UE	2, DDR4, 2133 MHz (optional); 32 GB max.	1 (optional); 512 GB max.	2 (optional); 1 TB max.	4 x USB 3.0 (-type A)	24 to 110 VDC (M12 A-coded)	-40 to 70°C	✓

Accessories (sold separately)

Cables

CBL-M12(FF5P)/OPEN-100 IP67	A-coded M12-to-5-pin power cable, IP67-rated 5-pin female M12 connector, 1 m
-----------------------------	--

Mounting Kits

V2406C Wall mount kit	Single-bracket wall-mounting kit for the V2406C Series with 8 M3 x 6 mm screws
-----------------------	--

Wi-Fi Wireless Modules

V2400 Cover-DB9	Dual DB9 expansion cover, 4 male hex standoff spacer pillars
V2400-WLAN22-AC	SparkLAN WPEQ-261ACNI (BT) Wi-Fi mini card, 4 black screws
V2406C TPM2.0 CT Module	SLB9665XT2.0 TPM 2.0 module with conformal coating
V2406C TPM2.0 Module	SLB9665XT2.0 TPM 2.0 module without conformal coating

Cellular Wireless Modules

V2406C-LTECat4-AP	Telit LE910C4 LTE Cat. 4 mini card for the Asia-Pacific region
V2406C-LTECat4-EU	Telit LE910C4 LTE Cat. 4 mini card for European region
V2406C-LTECat4-NF	Telit LE910C4 LTE Cat. 4 mini card for the North American region

© Moxa Inc. All rights reserved. Updated Jan 17, 2023.

This document and any portion thereof may not be reproduced or used in any manner whatsoever without the express written permission of Moxa Inc. Product specifications subject to change without notice. Visit our website for the most up-to-date product information.